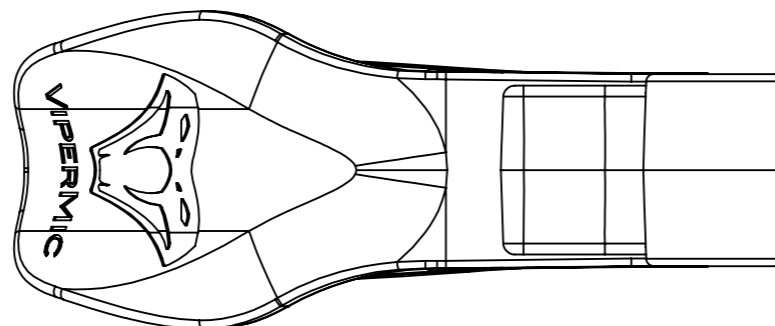
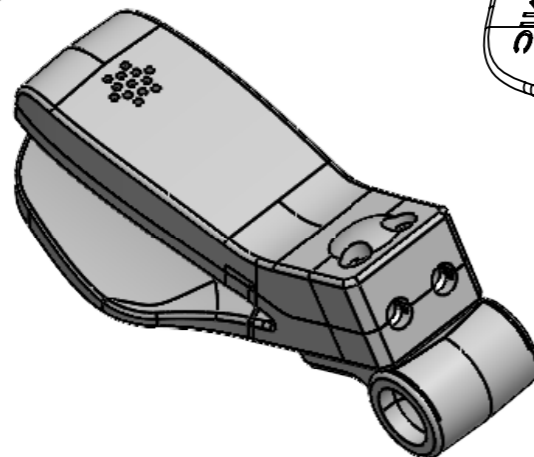
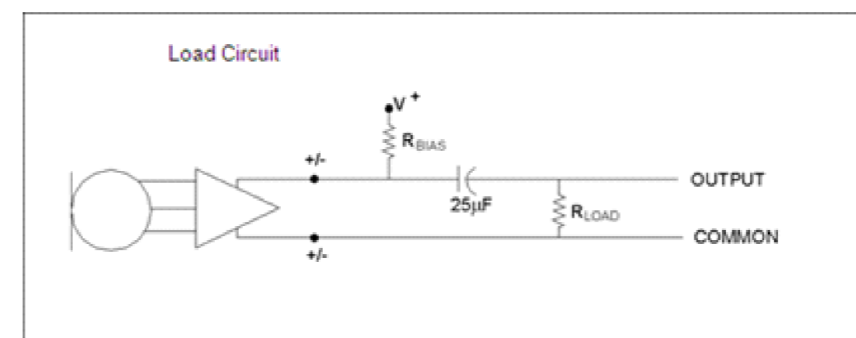


ISO VIEW



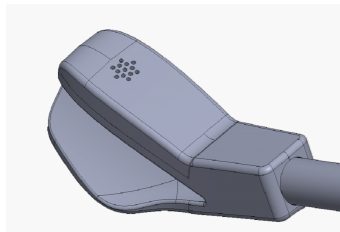
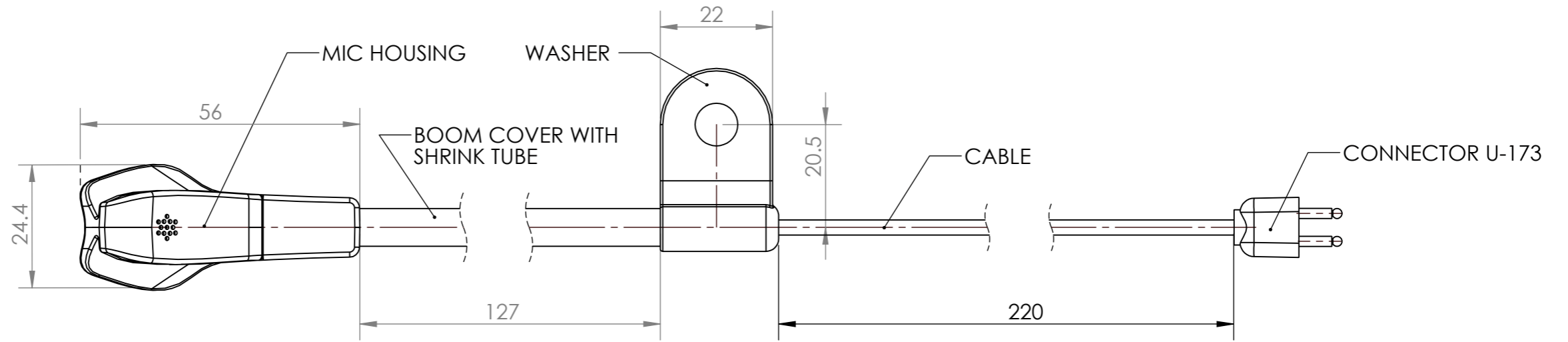
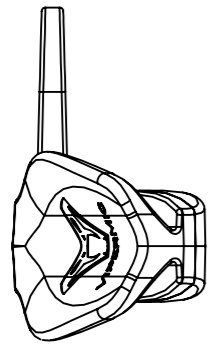
**SPECIFICATIONS:**

<b>GENERATING ELEMENT:</b>	ELECTRET CONDENSER
<b>POLAR PATTERN:</b>	NOISE-CANCELLING
<b>SENSITIVITY: (1 KHZ @ 1/4" DISTANCE)</b>	-31 DB REF 1 VRMS (AT 16V)
<b>DISTORTION:</b>	< 5% AT 114 DB SPL
<b>BIAS VOLTAGE:</b>	4 VDC TO 28 VDC (POLARITY AGNOSTIC)
<b>RATED LOAD RESISTANCE:</b>	220 OHMS
<b>RATED BIAS RESISTANCE:</b>	470 OHMS
<b>OUTPUT IMPEDANCE:</b>	50 OHMS
<b>IP RATING:</b>	IPX2
<b>HOUSING MATERIAL:</b>	3D PRINTED WITH MJF NYLON PA12

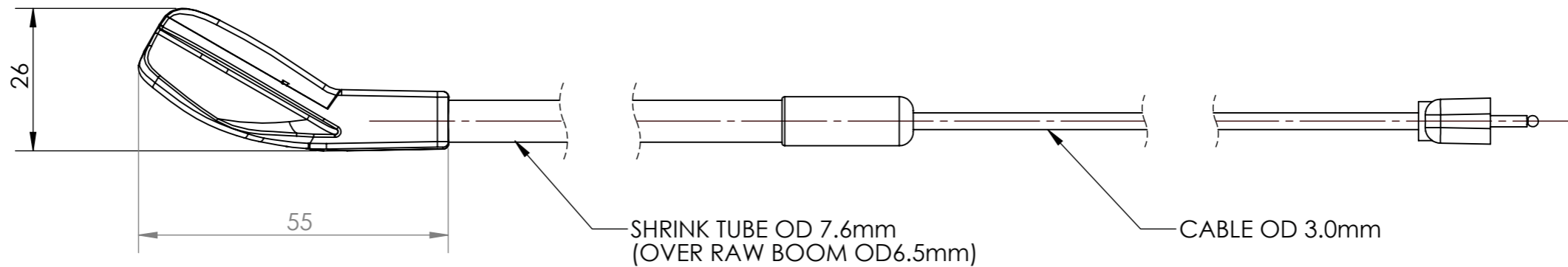
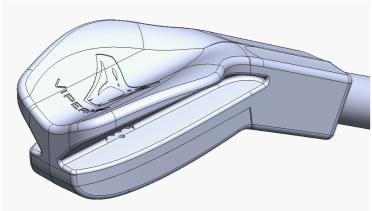


**Viper Electret High Impedance Wire Boom Microphone**





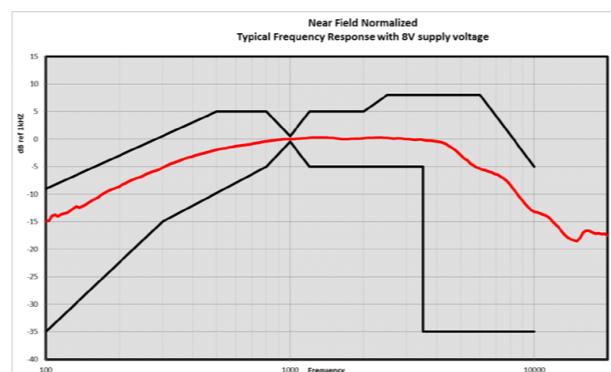
MIC HOUSING ISO VIEW



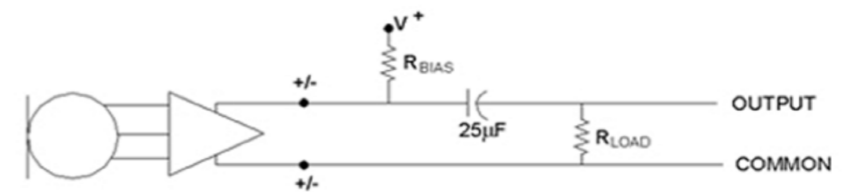
**ACOUSTICS AND ELECTRICAL SPECIFICATIONS:**

Specifications:	
<b>Generating Element:</b>	Electret Condenser
<b>Polar Pattern:</b>	Noise-Cancelling
<b>Sensitivity (1 kHz @ 1/4" distance):</b>	-38 to -22 dB ref 1 Vrms (4 ~ 28V)
<b>Distortion:</b>	< 5% at 114 dB SPL
<b>Bias Voltage:</b>	4 Vdc to 28 Vdc (Polarity agnostic)
<b>Rated Load Resistance:</b>	220 Ohms
<b>Rated Bias Resistance:</b>	470 Ohms
<b>Output Impedance:</b>	50 Ohms
<b>Remark: Same microphone element is used on a model which is TSO-C139a complaint</b>	

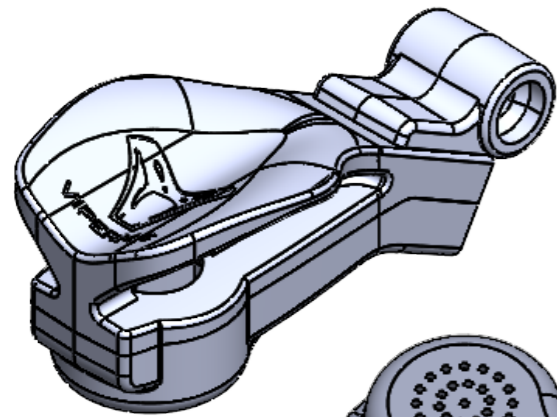
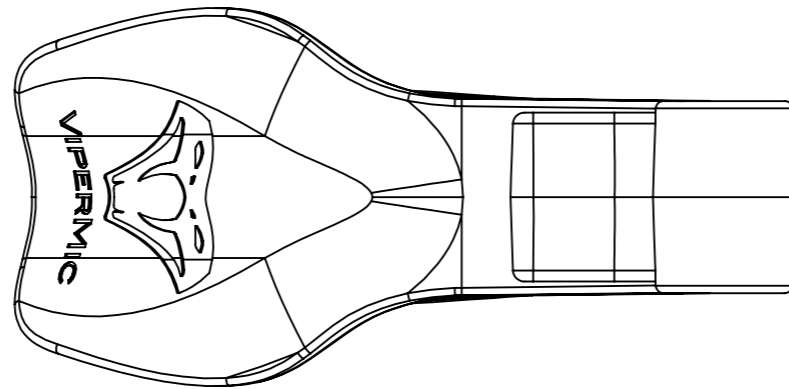
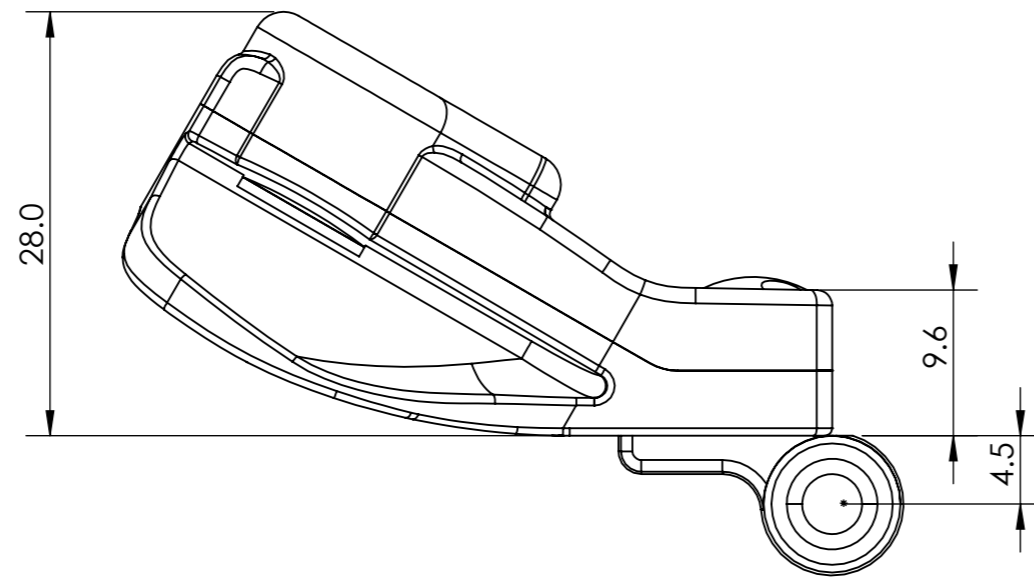
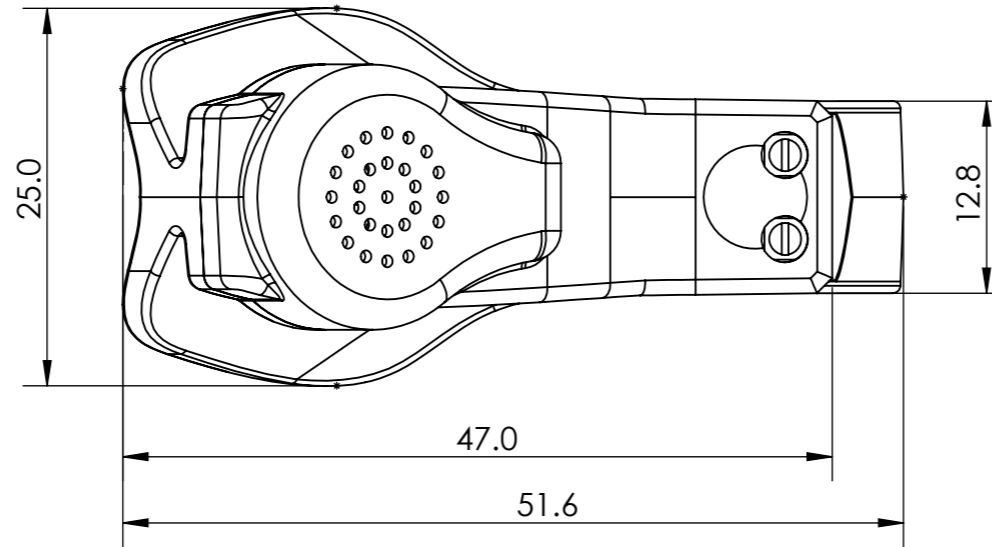
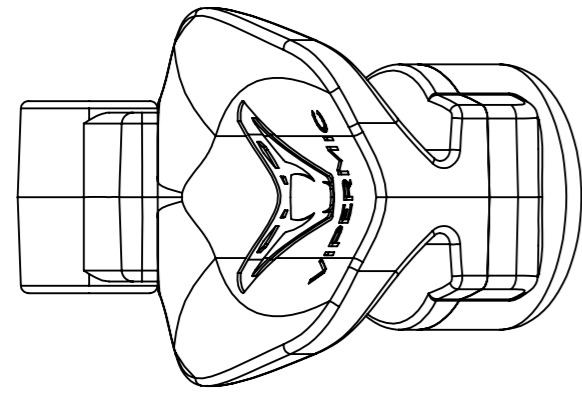
**FREQUENCY RESPONSE:**



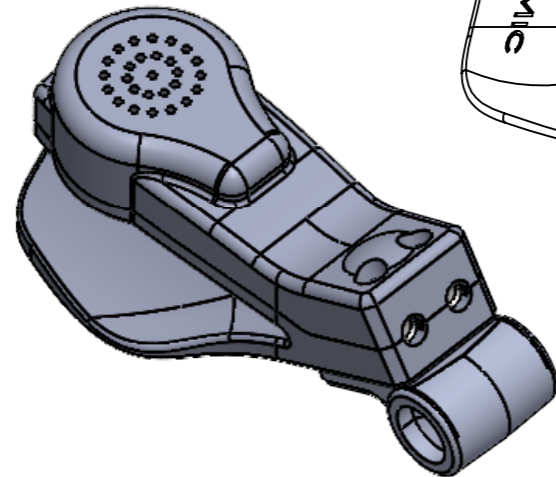
**LOADED CIRCUIT:**



**Viper Electret Integrated Flex Boom Microphone with Flag Mount**



ISO VIEW

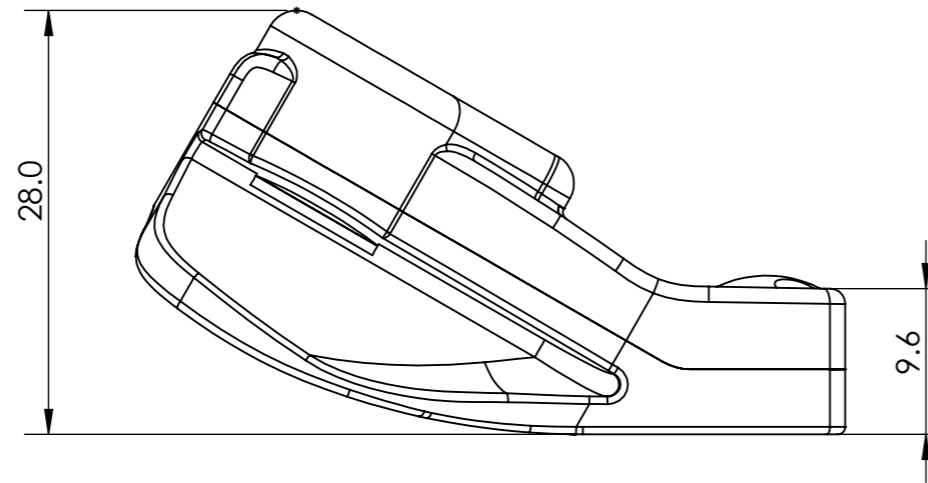
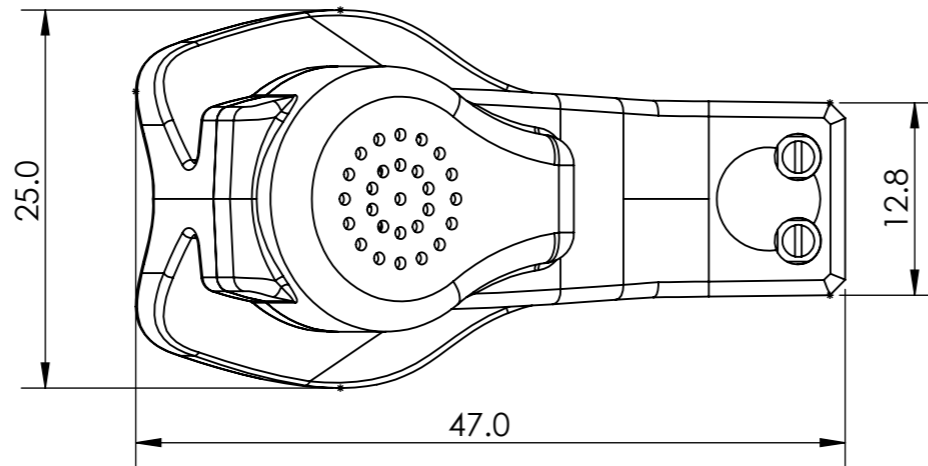
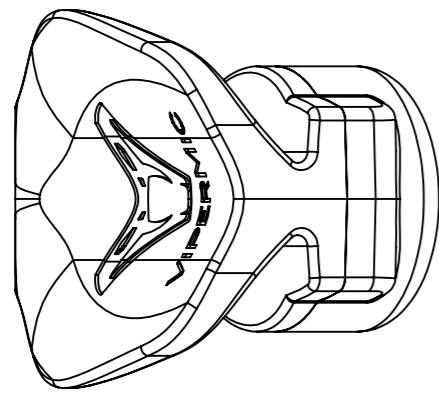


**SPECIFICATIONS:**

<b>GENERATING ELEMENT:</b>	DYNAMIC MICROPHONE
<b>POLAR PATTERN:</b>	SUPERCARDIOID
<b>SENSITIVITY: (1 KHZ @ 1/4" DISTANCE)</b>	-81 DB REF 1 VRMS
<b>DISTORTION:</b>	< 5% AT 114 DB SPL
<b>OUTPUT IMPEDANCE:</b>	5 OHMS
<b>IP RATING:</b>	IPX2
<b>HOUSING MATERIAL:</b>	3D PRINTED WITH MJF NYLON PA12

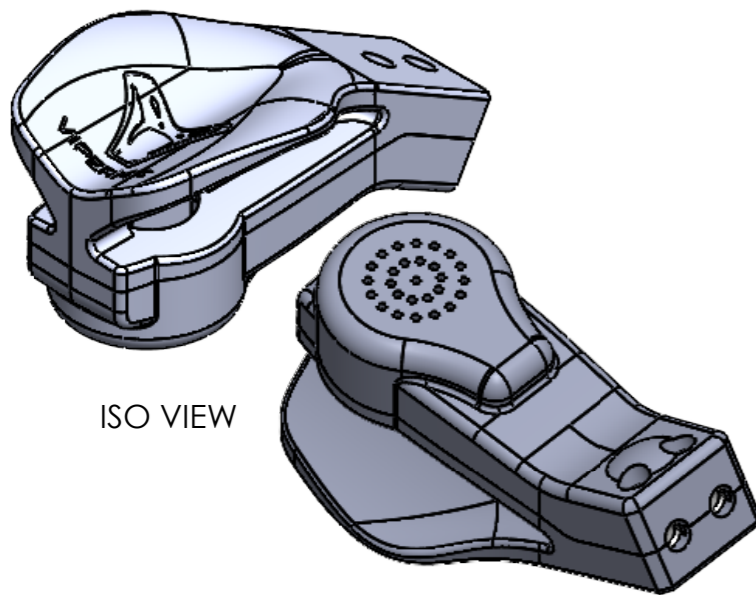
**Viper Low Impedance Dynamic Wire Boom Microphone**



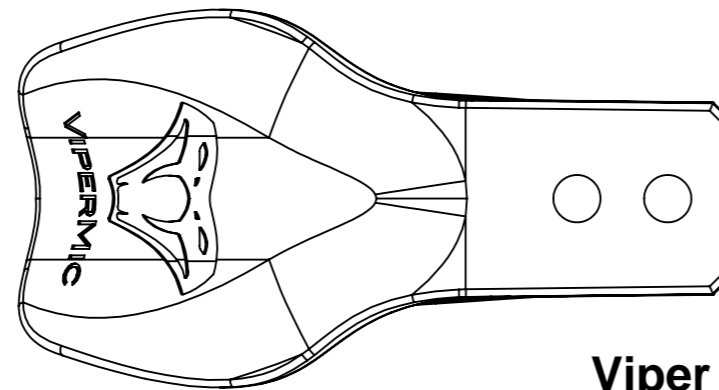


**SPECIFICATIONS:**

<b>GENERATING ELEMENT:</b>	DYNAMIC MICROPHONE
<b>POLAR PATTERN:</b>	SUPERCARDIOID
<b>SENSITIVITY: (1 KHZ @ 1/4" DISTANCE)</b>	-81 DB REF 1 VRMS
<b>DISTORTION:</b>	< 5% AT 114 DB SPL
<b>OUTPUT IMPEDANCE:</b>	5 OHMS
<b>IP RATING:</b>	IPX2
<b>HOUSING MATERIAL:</b>	3D PRINTED WITH MJF NYLON PA12



ISO VIEW



**Viper Low Impedance Dynamic Plug-in Flex Boom Microphone**

